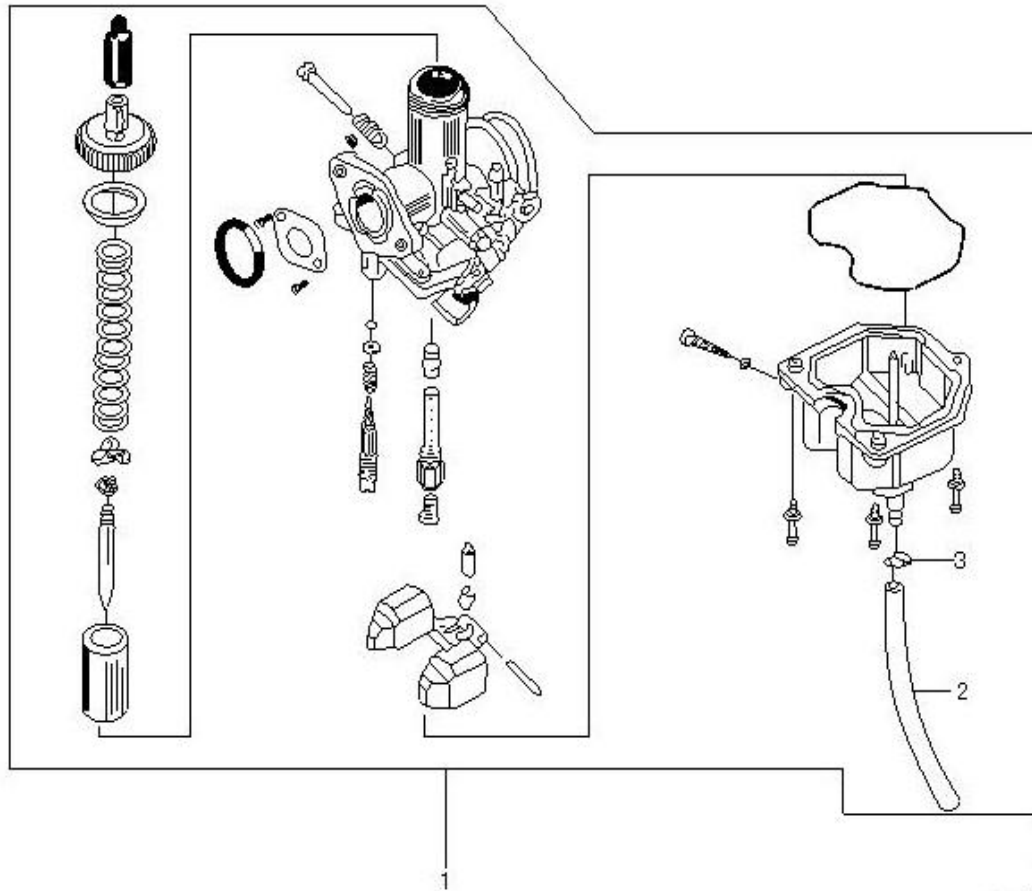




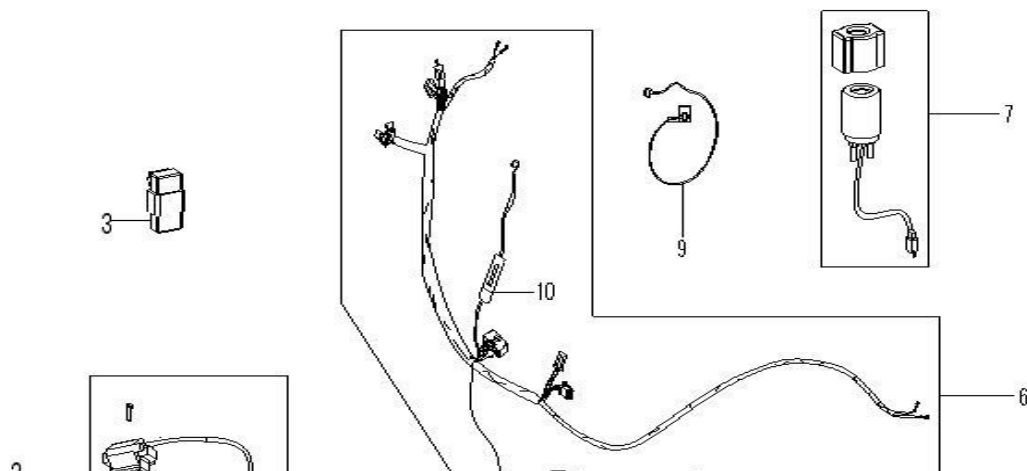
SHSCHEMATICS AND PARTS LIST

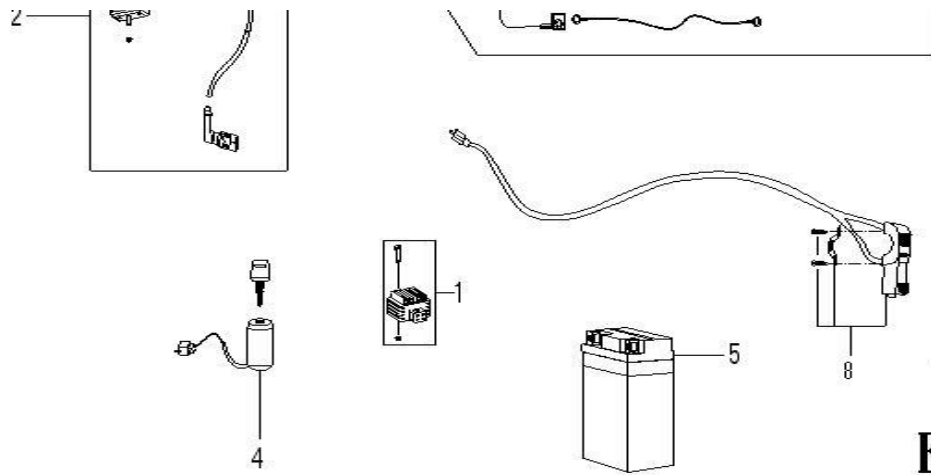


化油器
CARBURETOR

化油器 CARBURETOR

序号	件号	规格型号	英文名称
No.	Part No.	Type	English Description
1	1400300010001	PZ19SZ-037b	Carburetor

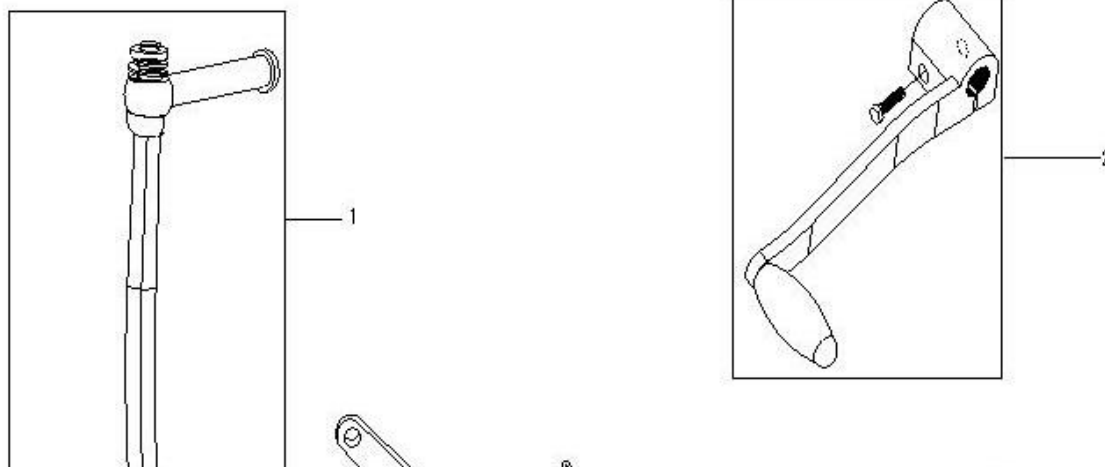


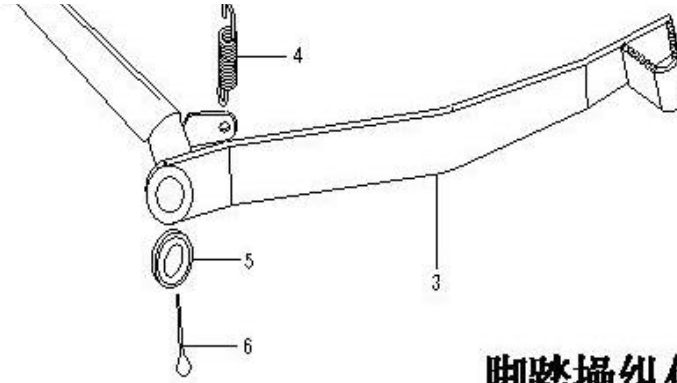
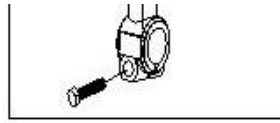


**电零件
ELECTRIC**

电零件 ELECTRIC

序号	件号	规格型号	英文名称
No.	Part No.	Type	English Description
1	1100300010010	C100全波	RECTIFIER RAQUALATOR
2	1100100010010	21-DY100pb	Coil
3	1100400010010	21-CG125CDI	CDI Unit
4	1100700010010	四线二档(通用)	Key Ignition Switch
5	1100600020010	GTX5L-BS (50-138CC)	CABLE,BATTERY
6	1100803070001	21A(电起动)	HARNESS
7	1100200010010	通用	STANTER SOLENOID
8	1100500010001	电启动 750mm	START SWITCH ASSY(E-START)
9	1100806020001	通用	CABLE,BATTERY
10	1100807010001	10A	FUSE HOLDER

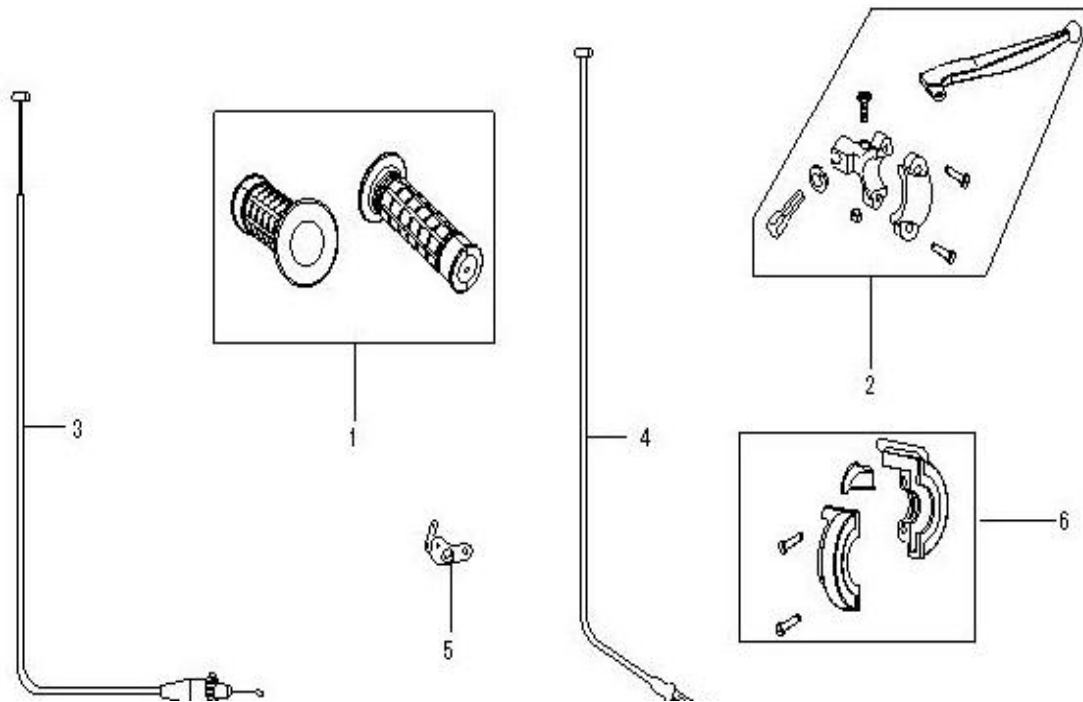




脚踏操纵件 PEDAL CONTROLLER

脚踏操纵件 PEDAL CONTROLLER

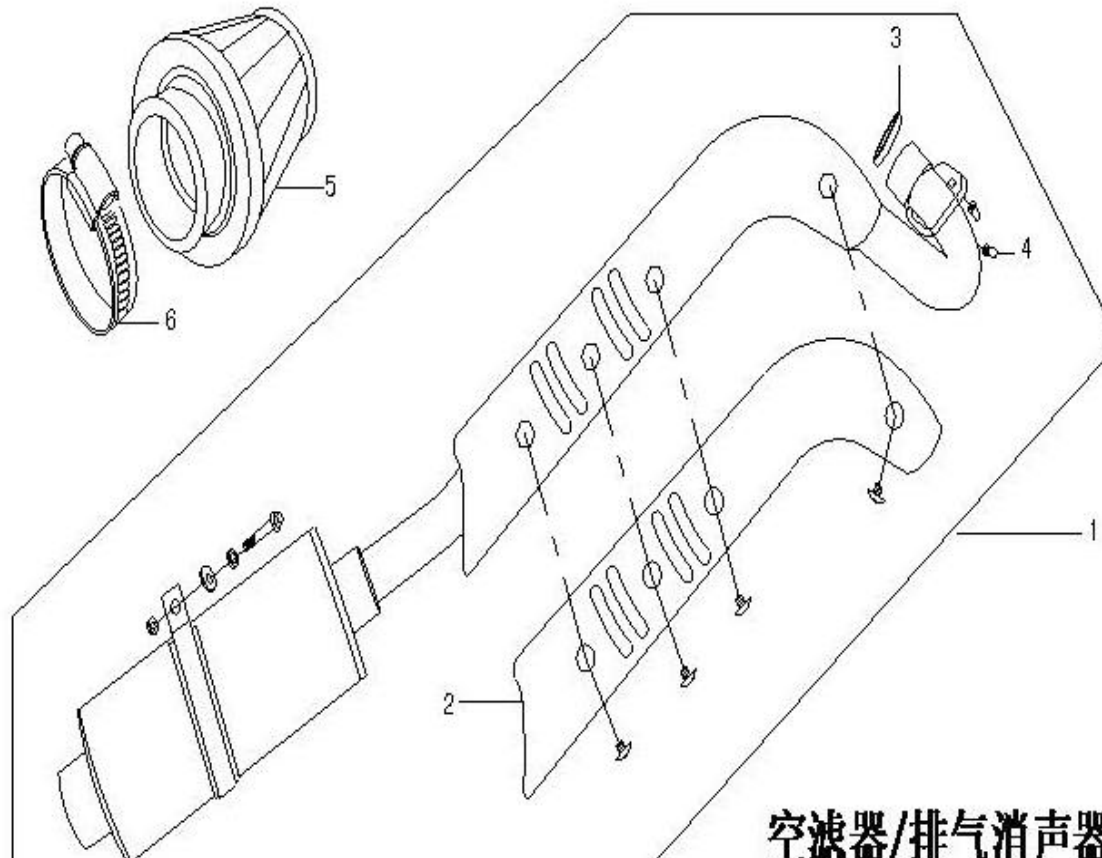
序号	件号	规格型号	英文名称
No.	Part No.	Type	English Description
1	2020701010001	卧式50-140CC	Starter Lever(Steel)
2	2020702010001	卧式50-140CC	Gear Lever
3	0701900230311	21A_铁_新状态	Foot Brake Lever
4	0803202020107	58mm	spring for rear brake lever
5	0820111040107	Φ 14XΦ 22X1.5	WASHER
6	0801901060101	Φ 2.5X30mm	SPLIT PIN



手把操纵件 HANDLE CONTROLLER

手把操纵件 HANDLE CONTROLLER

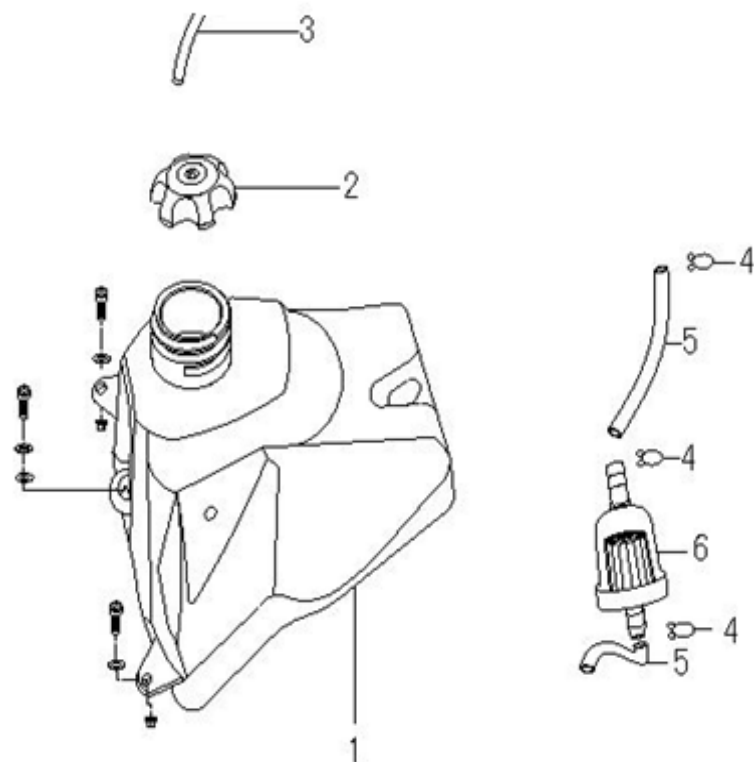
序号	件号	规格型号	英文名称
No.	Part No.	Type	English Description
1	0900100070010	APL-II-PPR	GRIP ASSY.
2	1402201010510	21	front brake right grip
3	1400900350001	长600mm_露110mm_配铁螺母	Throttle Cable
4	1402100010001	21(长810mm.外露170mm)	front brake cable
5	0701400010311	21A_铁	bracket of front brake cable
6	0100500010510	APL- I _铝	Throttle Housing
	0900104010008	APL-1	Triangle Piece



AIR FILTER/MUFFLER

空滤器/消声器 AIR FILTER/MUFFLER

序号	件号	规格型号	英文名称
No.	Part No.	Type	English Description
1	0700700010201	21A_铁	Exhaust Assy.
2	1401910020001	21系列	The Protector for Exhaust Pipe
3	1500400050001	50.70.110.125.140CC	Exhaust Pipe Seal (Copper)
4	0800501010107	M6X14mm	Triple Clamp Top Nut
5	1400500040001	铁丝网-口径35mm	Air Filter Assembly
6	1400501010101	50.70.110CC	air cleaner hoop

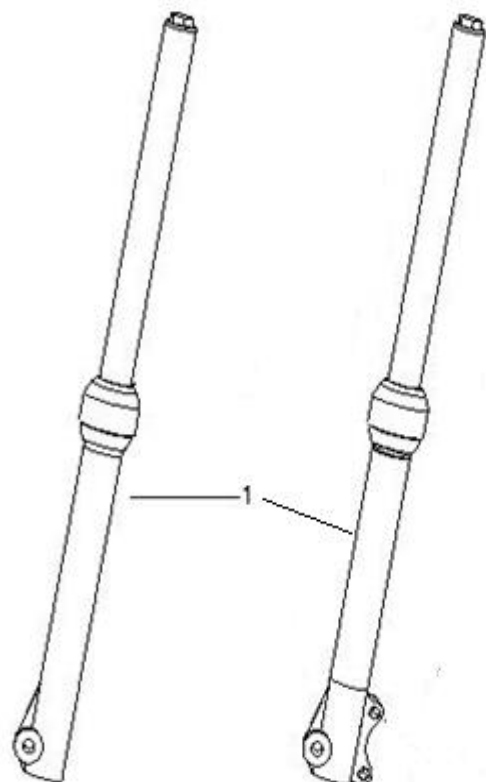


油箱/油开关
FUEL TANK/FUEL COCK

油箱/油开关 FUEL TANK/FUEL COCK

序号	件号	规格型号	英文名称
----	----	------	------

No.	Part No.	Type	English Description
1	1001000140010	21款	Fuel Tank
2	1001100010010	通用-塑料	Fuel Cap
3	0901000040010	Φ 4.5X Φ 10 (1m=0.09公斤)	fuel hose
4	0704500070107	Φ 9X8X0.8	Hose Clamp
5	0901000040010	Φ 4.5X Φ 10 (1m=0.09公斤)	fuel hose
6	1001800010001	塑料	Fuel Filter

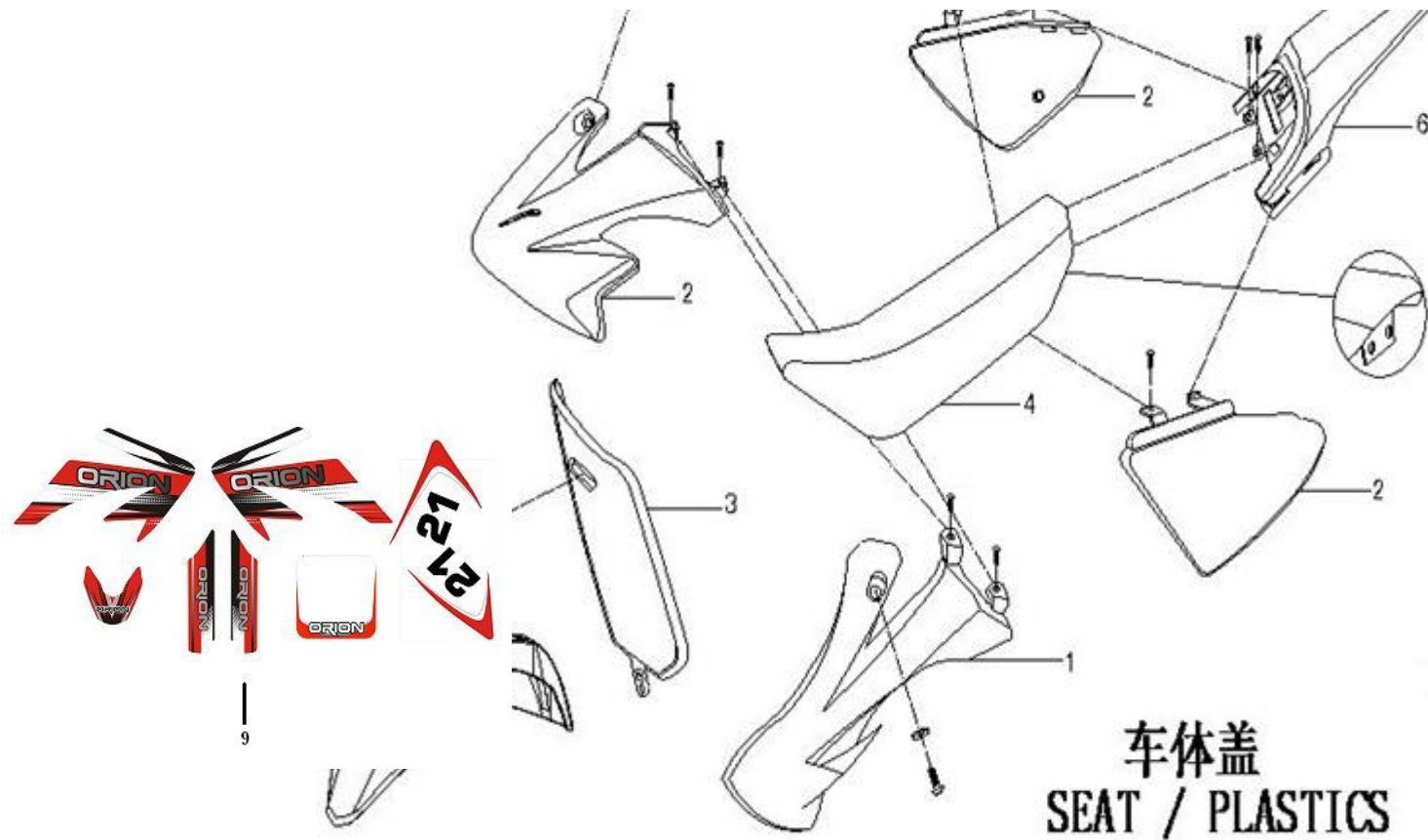


前减震
FR. DAMPER

前减震 FR.DAMPER

序号	件号	规格型号	英文名称
No.	Part No.	Type	English Description
1	1401200010010	21_顺直_480mm_管径Φ27mm_代号A480B01_M12	Front Forks (M12 Axes)



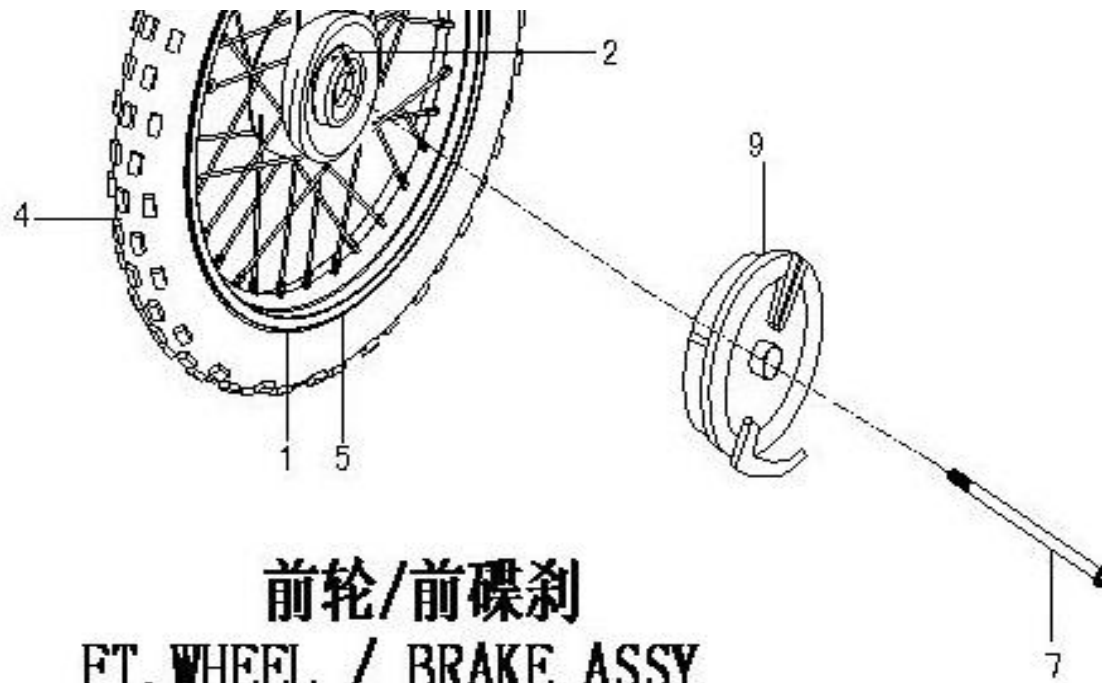


车体盖
SEAT / PLASTICS

车体盖 SEAT / PLASTICS

序号	件号	规格型号	英文名称
No.	Part No.	Type	English Description
1	1000200010010	21	L.&R.Plastic For Gas tank
2	1000300010008	21	L.And R.Side Plastic for back
3	1000400010008	21A	Front Number Plate
4	1001200010010	21-弯	Seat
5	1001501010010	21A	Front Fender
6	1000800040010	21A	Rear Fender
9	1002700010002	21	Sticker set 513

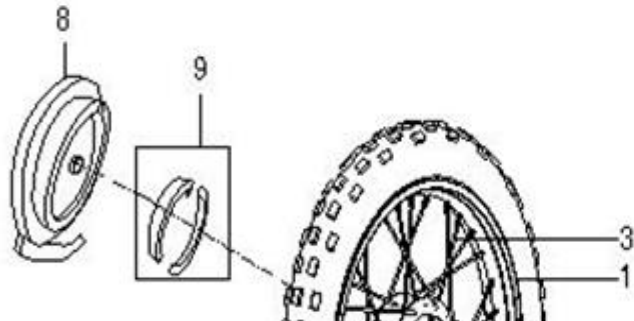


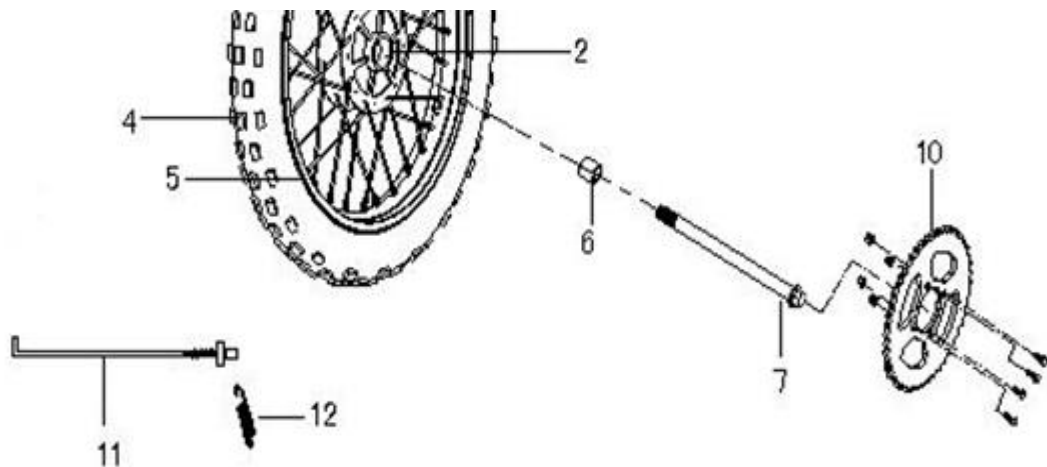


前轮/前碟刹
FT. WHEEL / BRAKE ASSY

前轮/前碟刹 FR.WHEEL/FR. BRAKE ASSY.

序号	件号	规格型号	英文名称
No.	Part No.	Type	English Description
1	0901201010010	2.50-10(振威)	Inner Tire
2	0704801080108	F-M12-1.4X10(毅刹)	Front Wheel Hub(Fe)
3	1806201010101	10"(铁.毅刹.老款.含螺母)	The Spoke for Front Wheel
4	0901100030010	普胎_2.50-10(振威)	Tyre
5	0901103010010	10"	Tyre protective band
6	0703904180107	φ 12. 5X φ 20X20mm	Spacer
7	0703902130107	M12X1. 25X220mm_10. 9级 要求:	Front Axle
8	0803701040107	M12X1.25	RETAINING NUT
9	1402001010101	21	front hub cover



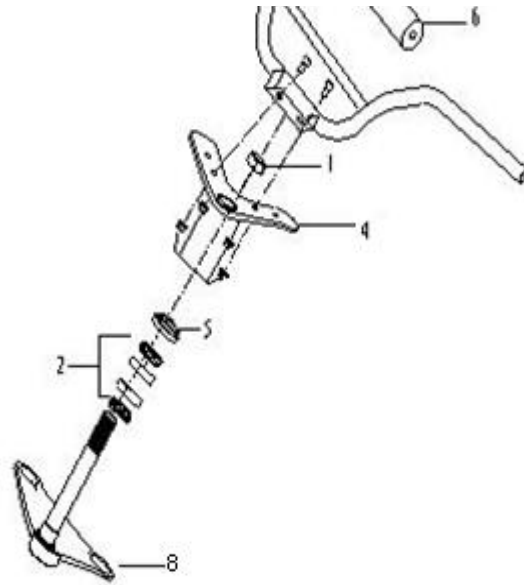


后轮/后制动器 RR. WHEEL/RR. BRAKE ASSY.

后轮/后制动器 RR.WHEEL/RR. BRAKE ASSY.

序号	件号	规格型号	英文名称
No.	Part No.	Type	English Description
1	0901201010010	2.50-10(振威)	Inner Tire
2	0704802010108	F-M12-1.4X10(毅刹)	Rear Wheel Hub(Fe) M12
3	1806301010101	10"(铁.毅刹.老款.含螺母)	The Spoke for Rear Wheel
4	0901100030010	普胎_2.50-10(振威)	Tyre
5	0901103010010	10"	Tyre protective band
6	0703904570107	∅ 12.5X∅ 20X31mm	Spacer
7	0703902130107	M12X1.25X220mm_10.9级	Front Axle
8	1402002030101	21_新状态	rear hub cover
9	1402003010001	21	hub brack pads
10	0701800010101	420-58X37T_铁	Rear Wheel Sprocket(Fe)
11	0704600030101	21A_铁	REAR BRAKE LEVER
12	0803202020107	58mmX∅ 2.5mm	spring for rear brake lever

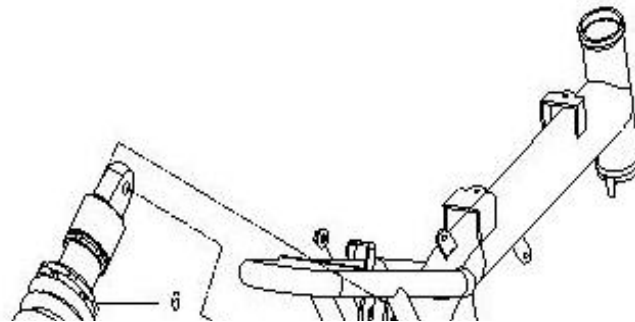


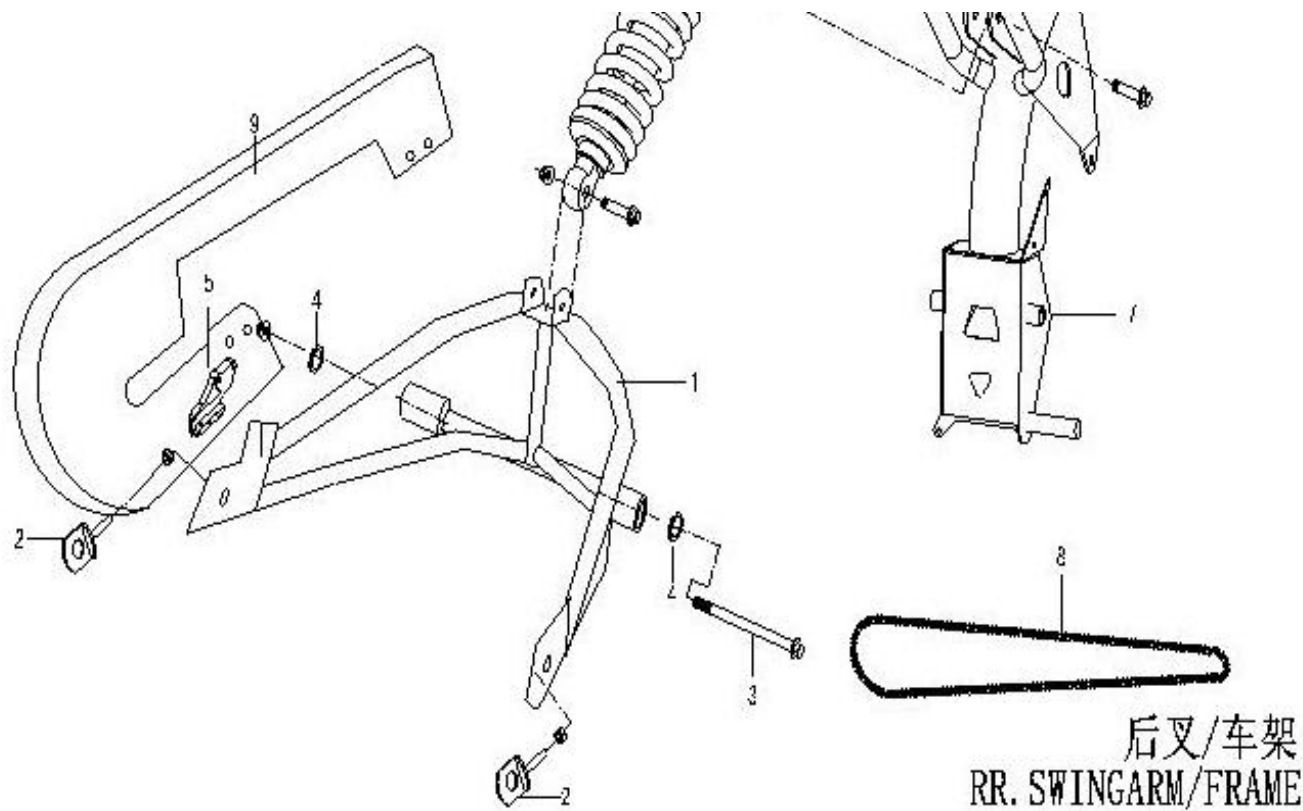


方向把/方向柱
HANDLE BAR/STEERING STEM

方向把/方向柱 HANDLE BAR/STEERING STEM

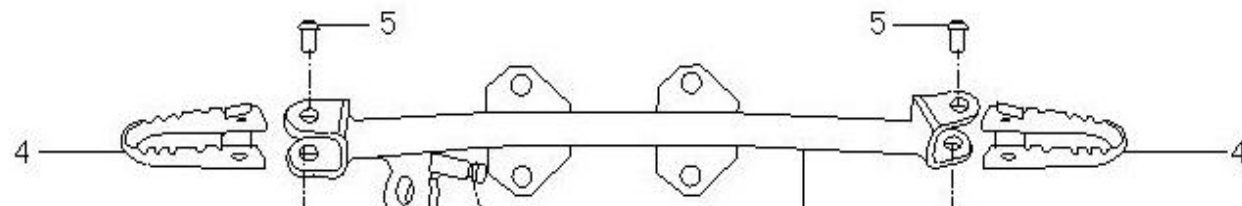
序号	件号	规格型号	英文名称
No.	Part No.	Type	English Description
1	0702100010201	21A-M22	Steering Stem Nut
2	0804500010001	21系列.34顺置(整套)	SIX PARTS ASSY, FOR STEERING PARTS
3	0700900010411	21- ϕ 22mm \times 570mm_铁	Handle Bar with Cross Bar
4	0704101010311	21A_铁	Triple Clamp (Top)
5	0701100010101	M22	Steering Stem Nut
6	1500500090001	21A(ϕ 11X ϕ 48X170mm)	Cross Bar Cushion Foam
7	1002016040002	21(170mmX171mm)	Cushion Foam Cover
8	0704102010310	21A_铁_带方向柱	Triple Clamp (Bottom)

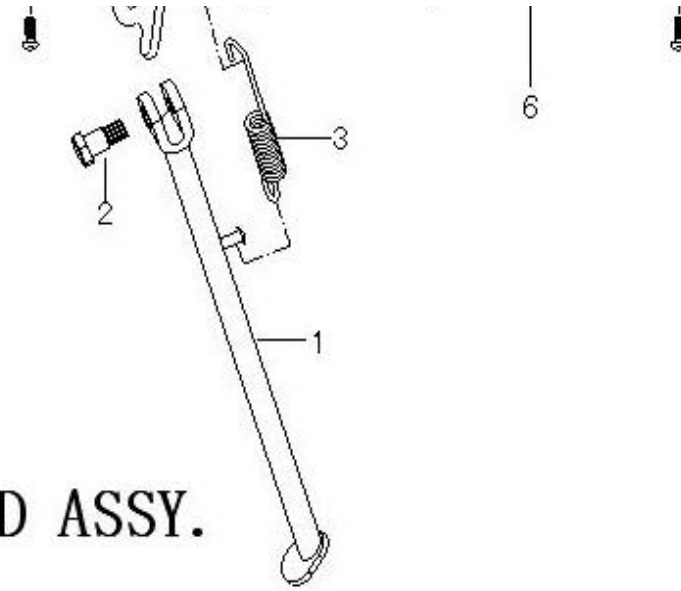




后叉/车架 RR. SWINGARM/FRAME

序号	件号	规格型号	英文名称
No.	Part No.	Type	English Description
1	0700200010310	21_铁_M12轴孔	Rear Swing Arm
2	0703500010111	21A_铁	Rear Wheel Adjuster
3	0703901110107	M10X1.25X195mm_10.9级	Swing Arm Bolt
4	0820101010107	Φ 10.5X Φ 30X2	WASHER
5	1002400010001	21A	trigonal piece
6	1401203200017	21-245mm	Rear Shock
7	0700100560311	21A_铁	Frame
8	0701700050001	420-78节	Chain
9	1002300050010	21-全包型	Chain Guard





脚蹬/侧支架
FOOT PEG / SIDE STAND ASSY.

脚蹬/侧支架 FOOT PEGS / SIDE STAND

序号	件号	规格型号	英文名称
No.	Part No.	Type	English Description
1	0701600250311	170mm(开档6.5)	Kick Stand
2	0804401020107	M10X25mmX1.25(台阶Φ12X12mm)	Kick Stand Bolt
3	0803202010101	115mm	Kick Stand Spring
4	0400100010311	21A_铁	Foot Pegs
5	0710201020107	Φ8X42mm-孔位39	pin
6	0700400010311	21A_铁	Foot Peg Support Brackets